

## **7300RU SERIES CONVERTER SECTIONS**

- *Upgrades Linear Power Centers to Electronic Performance*
- *Filtered DC Power*
- *Quiet Operation*
- *Huge Aftermarket Potential*

Tap into an enormous aftermarket with electronic Replacement Upgrade (RU) sections for popular Parallax power centers. The 7300RU Series of converter/charger sections provides ultra-clean, filtered DC power which serves as an upgrade for linear power centers. The large number of linear power centers in the field represents tremendous sales opportunities for 7300RU upgrade sections.

The filtered power is free from “spikes” and “surges”, no matter how unstable the AC power source. The clean power is ideal for today’s sensitive appliances. Smooth operation of amenities and bright lighting are benefits end-users appreciate. Even more, the full output rating is available for battery charging, virtually eliminating dead or drained batteries.

These power sources are as quiet as they are clean. Their operation is nearly inaudible, as the only sound comes from a whisper quiet cooling fan.

FCC Class B certification attests that the converter sections minimize signal interference with televisions, radios and emergency channels.



*7300RU sections slide in for a simple upgrade of linear power centers. Outputs of 45 and 55 amps available.*



**The Power To Bring  
People & Places  
Together.**

**UL/CUL Listed**

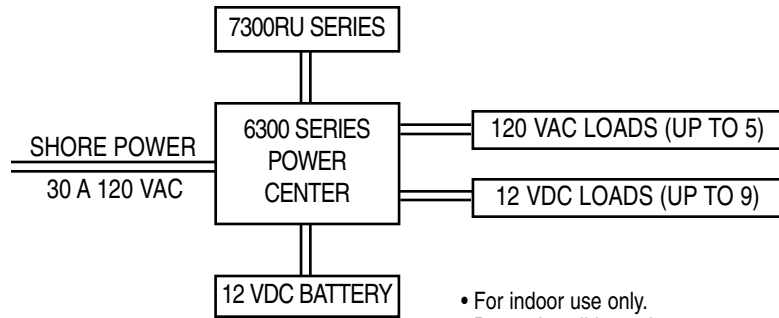
**Filtered Power**

**Whisper Quiet Operation**

**Battery Charging at Full Output Rating**

**FCC Class B Certification**

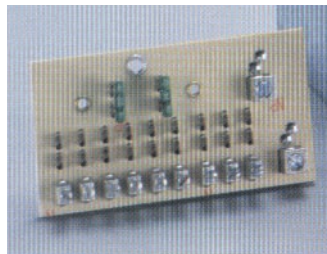
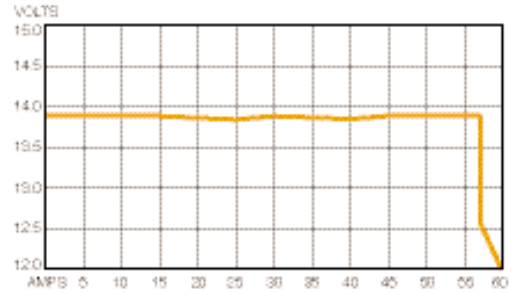
## Typical Installation



- For indoor use only.
- Do not install in engine compartment.

## Output Load Curve (Typical 7355RU model)

Typical load curve: With no load, output voltage is 13.8 VDC nominal to recharge a 12-volt battery to 100%.



The fuse panel included with the 7300RU accommodates two 30-amp fuses and up to nine DC branch circuits.



Retail packaging helps dealers take advantage of the large aftermarket for 7300RU converter/charger sections.

## 7300RU Series Specifications

Model Number	Item Description	AC Input		DC Output		Dimensions			UPC No. 1-80347-
		Volts	AC Branches	Volts	Amps	Ht.	Wdth.	Depth	
7345RU	45 ADC Converter/Charger Lower Section & Upgrade	N/A	N/A	14.0 max. @ no load 13.2 max. @ full load	45	N/A			11 lbs. 00020-5
7345RUT	45 ADC Converter/Charger Lower Section with Upgrade and Timer	N/A	N/A	14.0 max. @ no load 13.2 max. @ full load	45	N/A			11 lbs. 00005-2
7355RU	55 ADC Converter/Charger Lower Section & Upgrade	N/A	N/A	14.0 max. @ no load 13.2 max. @ full load	55	N/A			11 lbs. 00030-4

Specifications subject to change without notice.



Copyright 2004 Parallax Power Supply LLC

### Sales Office

425 Sycamore Street  
Anderson, IN 46016  
800-443-4859 • Fax 765-608-5036  
[www.parallaxpower.com](http://www.parallaxpower.com)

### Corporate Office

5508 128th Street E.  
Puyallup, WA 98373