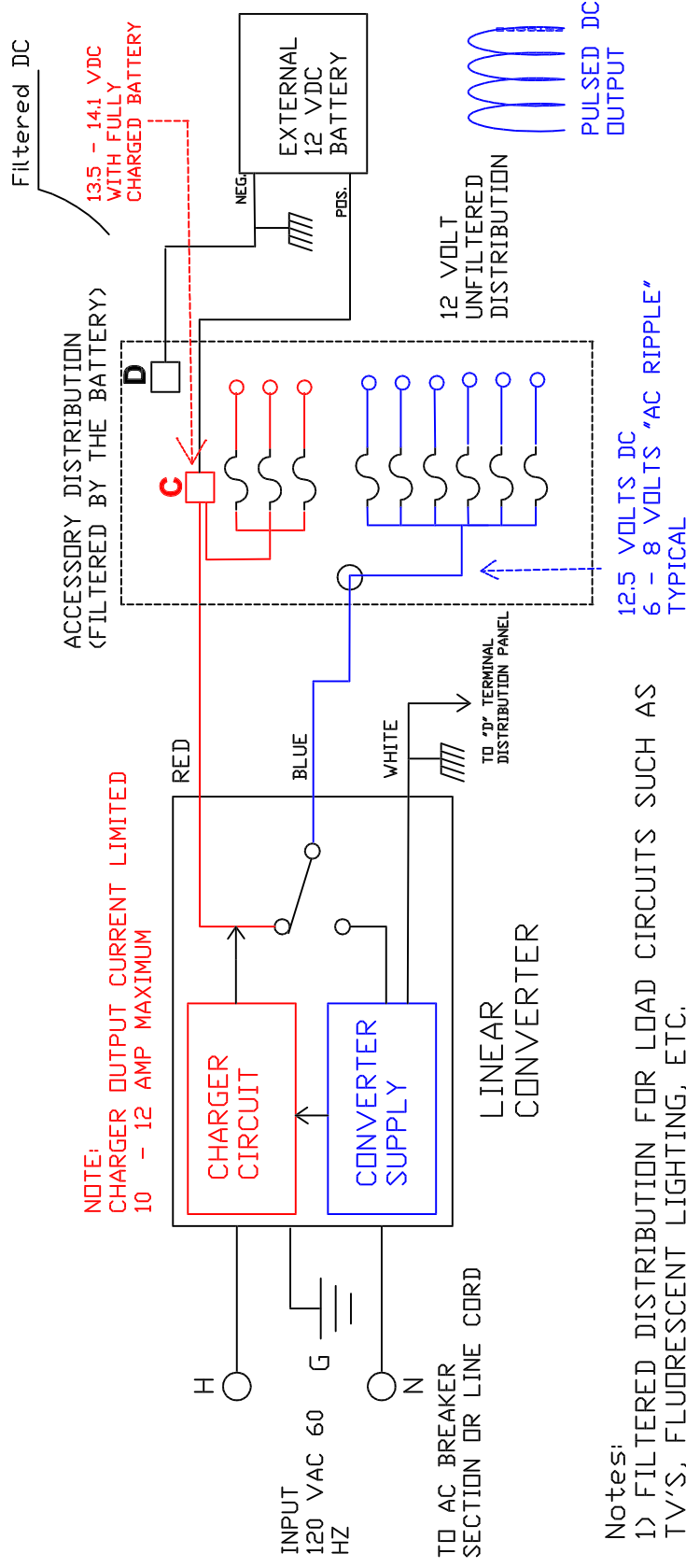


3200/6300 Q SERIES BLOCK DIAGRAM



- Notes:
- 1) FILTERED DISTRIBUTION FOR LOAD CIRCUITS SUCH AS TV'S, FLUORESCENT LIGHTING, ETC.
 - 2) UNFILTERED DISTRIBUTION FOR LOAD CIRCUITS SUCH AS INCANDESCENT LIGHTING, MOTORS, ETC.

